

MobileTrade: A Maemo Client to Trading/Auction Web Services

Ingmar Bergmann, Denis Zabiroyhin, Pavel Andrianov, Sergey Mihailov,
Artem Nikiforov, Dmitry Korzun

Petrozavodsk State University
Department of Computer Science



7th FRUCT Conference, 28-30 April, 2010

Table of Contents

- 1 Introduction
- 2 MobileTrade Scenarios and Demo
- 3 Implementation: Architecture and Code
- 4 Error Management: Testing and Debugging
- 5 Conclusion



Basic Idea

Demo application (client) for web-services of

- Trading Business System, TBS (1C, SAP, ...)
- Auction System (eBay)

Platforms

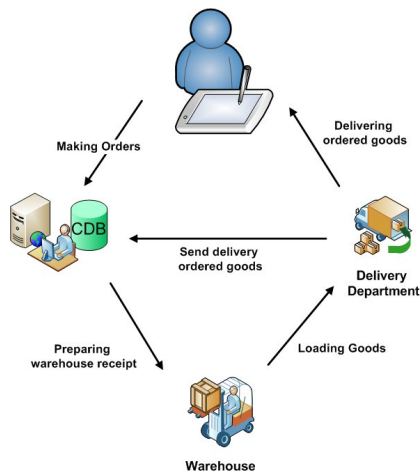
- Maemo 5 (Fremantle/Qt/C++)
- In future: MeeGo

Scenarios (mobile client)

- 1 Showing list of goods, searching, details: goods browsing
- 2 Selecting goods and making customer orders
(internet shopping: amazon, ozon, ...)
- 3 Participating in selling goods, e.g. via eBay



Trading Business Process



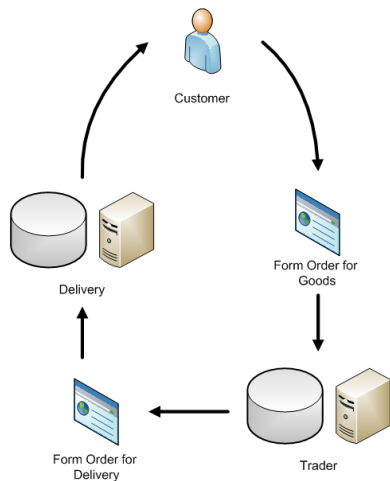
Our goals:

- Process efficiency
- User (customer) mobility
- Support for trading scenarios
- Cross-platform solutions

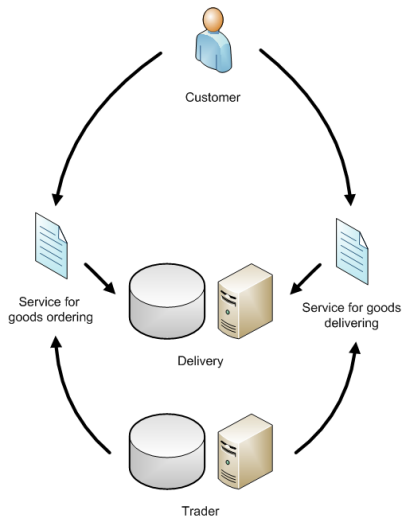


Service Oriented Architecture for TBS

Without SOA:



SOA:



Application advantages

- 1 Efficiency in mobile trading
trade agents, customers; small-medium-big companies
- 2 Sales results increase
- 3 Company public image improves

Features compared with existing applications

- SOA and web-services (unification)
- Cross-service solution (aggregator)
- Cross-platform (C++, Qt, ...)
- Open source (GPLv2)
- Finger-touch GUI (to work out an office)
- Network instability (caching, off-line)



Usecase scenarios

Business scenarios:

- Show goods
- Customer orders
- Sell orders (auction as eBay)

Support scenarios:

- Configuration settings for different web-services
- Synchronization with TBS (primary database)
- Switching between on-line and off-line modes

The screenshot shows a mobile application window titled 'mobile-trade' with a time of 09:33. The interface includes a sidebar with navigation options: Orders, Sales, Profiles, Reports, and Settings. The main content area displays a table with the following data:

name	count
Nokia 8800 Sapphire ...	87
Nokia E52	23
Nokia E53	54
Nokia E71	65
Nokia E76	23
Nokia E79	76
Nokia N96	95
Nokia N97	23

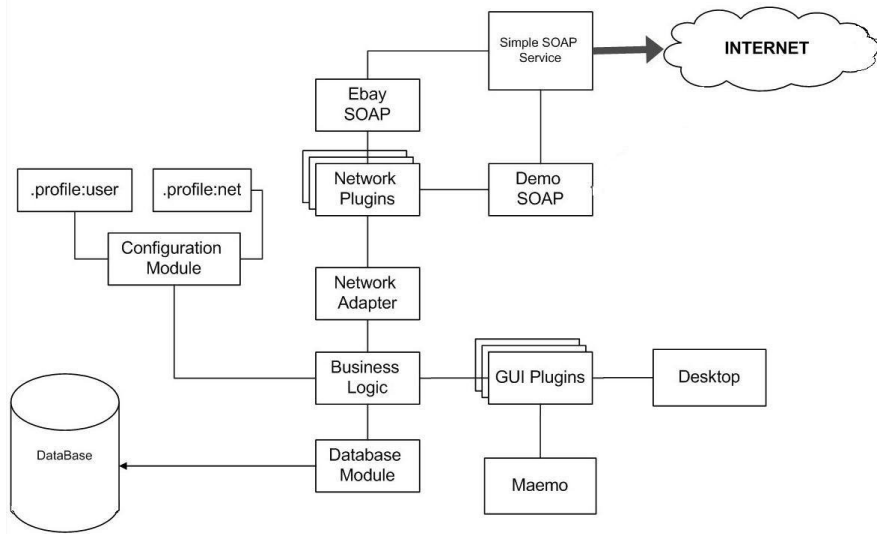


Demo: MobileTrade release 0.21-alpha

Demo is started ...



Architecture



Development and Repository

- C++ (using Qt Creator)
- Qt4.6-maemo: Maemo 5 GUI specific features
- SQLite: database support
- QtSoap: network support for web-services
- Qt Creator for producing GUI

- SVN (local repository)
 - ▶ business logic
 - ▶ user interface
 - ★ maemo5
 - ★ desktop
 - ▶ database
 - ▶ ...
- <http://gitorious.org/mobile-trade>
- <http://repository.maemo.org/extras-devel/pool/fremantle/free/m/mobile-trade/>
- https://garage.maemo.org/frs/?group_id=1534



Code Metrics

Module	Classes	LOC	COM	LOC/COM	ALL
Database	1	207	225	0.92	432
User Interface	73	2070	1215	1.704	3285
Business Logic	23	1355	1699	0.798	3054
Network	7	400	86	4.651	486
Manager	9	404	289	1.398	693
Tests	10	840	174	4.828	1014
Total	123	5276	3688	1.43	8964

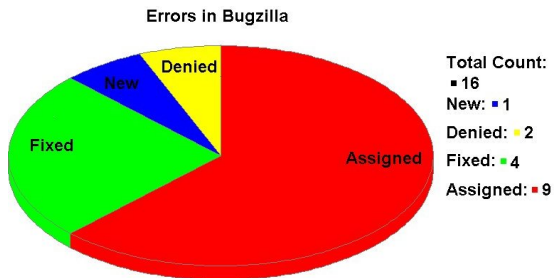


Uses

- QtTestLib/QtTest for automation
- bugzilla for bug tracking: <http://oss.fruct.org/bugzilla>
- valgrind for debugging

Types of testing:

- System testing
- Integration testing
- Unit testing
- UI testing (checklist)



Team

- **Ingmar Bergmann:** 5th year student, project leader, GUI and testing manager
- **Denis Zabiroyin:** 3rd year student, architect, design, network
- **Pavel Andrianov:** 4th year student, problem domain, logic, database
- **Sergey Michailov:** 3rd year student, GUI, design
- **Artem Nikiforov:** 3rd year student, testing, design
- **Igor Semenov:** expert
- **Dmitry G. Korzun:** supervisor



Results

Implementation

- MobileTrade release 0.21-alpha for Nokia N900
- Full Qt-based implementation
- Partial QtSoap-implementation

Further directions

- Support for customer orders
- Support for auction systems
- QtSoap implementation
- Comprehensive testing at N900



The source code is available at
<http://gitorious.org/mobile-trade>

<http://oss.fruct.org/wiki/Maemo-Business>

<http://oss.fruct.org/bugzilla>

bergmann@cs.karelia.ru

Thank you!

