

Petrozavodsk State University  
Department of Computer Science

# M3-Weather project

customer: Dmitry G. Korzun  
developers: Pavel Borovinsky,  
Ivan Galov,  
Anna Samoryadova  
instructor: Kirill A. Kulakov



AMICT Workshop, 25-27 May, 2010, Petrozavodsk

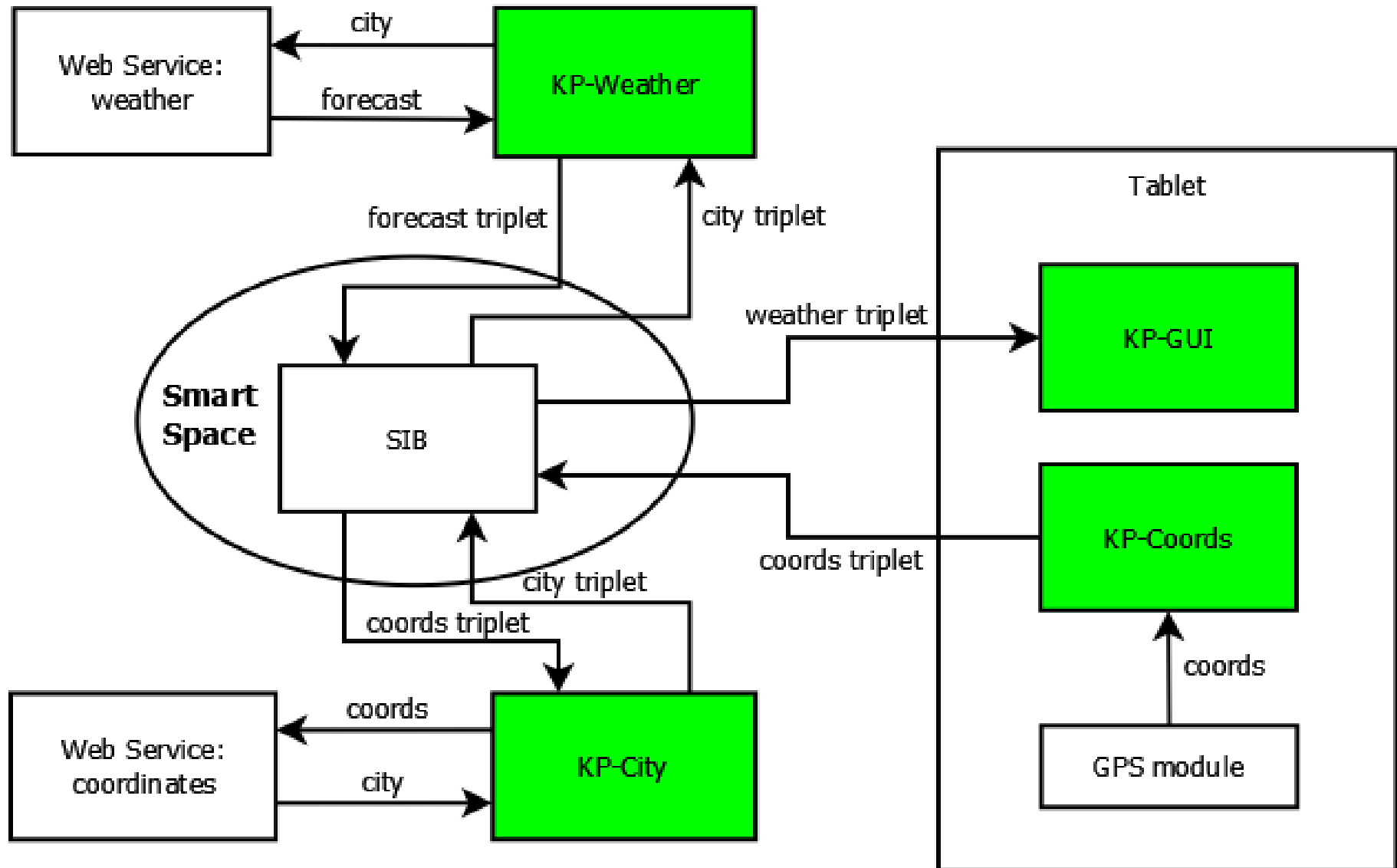
# Project outline

- prototype of tourist-helper application on Smart-M3 platform
- shows forecast for location using coordinates (GPS)

## General functions:

- getting current coordinates from GPS module
- searching nearest locality in web
- showing forecast for found locality
- auto-updating information about weather

# M3-Weather architecture



# Information in SIB

data

id	str
18	coords
19	#Coords
20	city
21	#City
22	pos
23	weather
24	#Weather
25	name
26	cityid
27	blank
28	60.167;24.933
29	Helsinki
30	FIXX0002
31	temp
32	11
33	caption
34	Mostly Cloudy
35	icon
36	28

triplets

s	p	o
18	1	19
20	1	21
23	1	24
18	22	28
20	25	29
20	26	30
23	31	32
23	33	34
23	35	36

**Thank you for attention!**